

## THE PARK BENCH PASTOR'S COLUMN

### July - August Park Bench 2017

Greetings in the name of the Lord.

Summer is now in full swing. The Fourth of July is HERE.

The two exciting weeks for Marco and Giovanni spent in preparation for, and leading up to fireworks, had built to a fever pitch. The big moment had finally arrived!!!! It took all of about 10 seconds for the look on Giovanni's face to turn from anticipatory delight to abject panic as he quickly decided that fireworks were the most terrifying proposition that the human mind can conceive. Oh well maybe next year ☺

We have lately been studying the biblical covenants on Sunday morning for the last five weeks to better understand God's character, his nature, our relationship to him and what it is based on. These are very important elements to our belief system *about* God. In fact, they are the groundwork of our orthodox beliefs.

We have recently taken up a study in the book of James. James challenges us not simply to right *belief* but to right *living* as well. He is basically telling us that if our faith is genuine; then our Christian walk must be authentic. James calls us out of the theoretical part of our faith and into the practical. His charge to his first hearers was basically this, "*If you say you believe like you should, why do you behave as you shouldn't?*"

Even in seminary, the training ground for ministry, I met people who could walk right past a hurt person on their way to the library to learn *'about'* God. We can have all the right theory, be able to defend the historic Christian faith with sparkling eloquence, but we are a clanging gong if we don't have a genuine love of God and others that is born out of an understanding of who Christ is and what He accomplished on our behalf. Humility is THE hallmark of the believer. It is sort of the Christian checklist all dwindled down to one box that must be checked. "*If I speak in the tongues of men or of angels, but do not have love, I am only a resounding gong or a clanging cymbal.*" **1 Corinthians 13:1**

How will the world know we are Christians when we are not in Church? By our 'God talk'? How will my coworker in the office know I am a Christian? By my Church affiliation as a Baptist? Or a Presbyterian? How will the fellow digging the ditch or laying the pipe or enforcing the law or fighting the fire know I am a Christian?

*By this everyone will know that you are my disciples, if you love one another.*" **John 13:35**

James is confronting his audience of first century Christian Jews and letting them know that right belief counts for nothing if it is not followed up by right actions. And that action is L-O-V-E!

Now James is NOT saying that right belief is not important. James is no weak theologian. He knew the Old Testament backwards, forwards and sideways and so did those he wrote to. He is simply reminding them that the intellectual side of Christianity must be in concert with the application of it from Jesus' perspective.

Continued .....

*Do not merely listen to the word, and so deceive yourselves. Do what it says. Anyone who listens to the word but does not do what it says is like someone who looks at his face in a mirror<sup>24</sup> and, after looking at himself, goes away and immediately forgets what he looks like. But whoever looks intently into the perfect law that gives freedom, and continues in it—not forgetting what they have heard, but doing it—they will be blessed in what they do.*

*Those who consider themselves religious and yet do not keep a tight rein on their tongues deceive themselves, and their religion is worthless. Religion that God our Father accepts as pure and faultless is this: to look after orphans and widows in their distress and to keep oneself from being polluted by the world. **James 1: 22-27***

A professor in a liberal university was once asked smugly by one of his students if he believed in God; to which he proclaimed, “absolutely not”! The class was stunned when he followed it up with, “But I **Know** God”! It is not enough to know *about* God, we must *know* God!

Famed Christian writer, Brennan Manning, once stated that “*there is absolutely no point trumpeting the Lordship of Jesus Christ if His values are not our values and His attitudes and motives are not our attitudes and motives.*”

As we traverse through the book of James together, let us be humbly reminded of who we are IN CHRIST and live our lives among one another as if we understand that concept fully, and have ONLY that concept to stand ON!!

See you all on Sunday! Don't be late 😊

In loving service,

Pastor George



- **Outdoor Worship Service and Communion at Blueberry Park pavilion Sunday, August 6 @ 10:30 a.m. Followed by a church picnic.**
- **Blessing of the Backpack Sunday, August 20 at our 9:30 a.m. Worship Service**
- **Regular service hours and Sunday School begin September 10, 2017**
- **“Legends of the Huddle” Men’s Event here on Saturday, October 21 from 8 a.m. – 1 p.m.**



- July 3 Rick Raraigh
- 3 Eddie Gildernew
- 4 Eleanor Mooney
- 5 Jordan Frazier
- 8 Dorothy McKinney ( her 103<sup>rd</sup> ! )
- 8 Jane Myers
- 8 Janet Eberhardt
- 8 Joseph Maxwell ( his 17<sup>th</sup> ! )
- 10 Carol Jean Keefer
- 11 Martha McEvoy
- 12 Jill Whipple
- 13 Jared Dauer ( his 16<sup>th</sup> ! )
- 16 AMANDA & CHRISTIAN CARVER
- 20 Lori Merriman
- 22 Rev. Paul Aiello
- 23 Scott Merriman
- 28 Jen Ott
- 28 Beth (Frankenstein) Mauro
- 29 Audrey Maxwell (2008)
- 30 Janet Tehois



<http://www.franklinparkchurch.org/>



- August 5 Laurie Dauer
- 5 Clay Nichols
- 9 Jean Willoughby
- 10 Wendy Spurling
- 12 Katelyn Dauer ( her 18<sup>th</sup> ! )
- 13 Xander Spurling (his 8<sup>th</sup> !)
- 14 Madison Cress
- 15 Bill Mooney
- 17 Jamie Lopez
- 20 Ron Merriman
- 24 Leslie Worst
- 25 Ricky Hughey
- 27 Earl Neely, Jr. (Pete)
- 27 MARTHA McEVOY & MIKE JONES
- 27 Nico Lopez (his 10<sup>th</sup> !)
- 30 SANDY & EDDIE McGINNIS
- 30 Karen Ott
- 31 SCOTT & SALLY CUNNINGHAM

Worship Service Greeters for July

- 2 - Marian Wolbert
- 9 - Chris & Amanda Carver, & Benjamin
- 16 - The Mission Group
- 23 - Martha & Mike
- 30 - Clay & Christy Nichols

**THE ONE GREAT HOUR OF SHARING OFFERING**  
*was our focus for the month of June. We set a goal of \$900.00 and through your generosity we surpassed that and received \$999.00. You let those in need throughout the world know YOU ARE HERE for them ! THANK YOU !*

Address: 2470 Nicholson RD. Sewickley, PA 15143 [View On Google Maps](#)

Phone: 724-935-3950



*Outdoor Worship Service  
Communion and Picnic  
Sunday, August 6 @ 10:30 a.m.*

*Blueberry Park*

*Each family please bring a salad or side  
dish to be shared*

**RAIN OR SHINE**



Sunday, August 20

9:30 a.m.



ALL students, no matter what phase of education you will be entering, bring your backpack or whatever you will be carrying your school books, supplies etc. in for a special blessing at our 9:30 a.m. Worship Service

*From North Country Meals-on-Wheels:  
Dear Franklin Park Baptist Church,  
We are so grateful for your ongoing support of our program here at NCMOW. Thank you for your recent donation of three cakes and cookies. Dessert is always enjoyed by our clients and because of you, they'll have a special treat. May God bless you all for your kindness, Denise Stack, MOW Volunteer*

***Ongoing projects that benefit  
our church groups***

Newspaper recycling

*(green and yellow container in the church parking lot)*

aluminum cans

*(barrels beside our dumpster in back of the church)*

Scrip. Gift cards

*(purchase the first of each month from*

*Ellen McKenna)*

Amazon Smile

*(any time you buy from Amazon)*

Kings Coupon Day

*(second Wednesday of each month.)*

*Nancy McNaughton and the Guiding  
Lights thank everyone who  
participated in having photographs  
taken for our new church pictorial  
directory. Some members have already  
received their pictures and the  
directory itself will be coming soon!*

## Graduates Page :

### On Sunday, June 11, 2017 we honored our recent graduates at our morning worship Service.

~**Stephen Cunningham – Carnegie Mellon University** – with a Master’s in Mechanical Engineering. Stephen is the son of Scott and Sally Cunningham and grandson of Rev. Robert and Ruth Cunningham. He has a sister, Shelby.

~**Jason Dauer – Grove City College** – Jason is the oldest son of Laurie and Randy Dauer and has 1 sister, Katelyn and 1 brother, Jared. In college he belonged to The Table, Students Excited About Diversity and orchestra. He received High Honor in Commonwealth Studies, was in Lambda Pi Eta and NCA Honor Society. Jason made the Dean’s List for 2015 – 2017. His plans for the future include either grad school or seminary.

~**Katelyn Dauer – North Allegheny High School** – Katelyn is the daughter of Randy and Laurie Dauer and sister of Jason and Jared Dauer. In school she was in the orchestra playing the violin/viola. She loves singing, reading, watching Netflix, drawing and playing the guitar. Katelyn plans to attend Grove City College studying music. She has plans of possibly minoring in psychology.

~**Jordan Frazier – Robert Morris University** – Jordan is the son of Doug and Pam Frazier and brother of Bethany Kearns. In college he was the President of the Association of Future Accountants, RMU’s largest student organization with 125 paid members. He was the founding father of RMU’s Beta Alpha Psi – International Finance and Accounting Honors Fraternity. Jordan is learning to play the piano, practicing Brazilian Jui-Jitsu and studying for the CPA license. He attended college under a full tuition Presidential Scholarship and received the Presidential Undergraduate award given to the top 10 students of the university. Jordan graduated Summa Cum Laude with a 4.0 GPA in Accounting, Finance and Economics and completed 4 internships: one with KPMG, one with a healthcare technology start-up and 2 with PricewaterhouseCoopers. During the summer of 2017 Jordan will be studying towards earning his CPA (Certifies Public Accountant). In September he will start working with PricewaterhouseCoopers, a big Four Public Accounting Firm, as an Audit Associate in Downtown Pittsburgh.

**Heather Ott – LaRoche College** – is the daughter of Karen and Jeff Ott and sister of Jennifer. Heather was a student member of ASID, NEWH, the ECO Club. She graduated with Cum Laude honors. Heather will work full-time at Pieper O’Brien Herr Architects as their first interior designer. She worked in the college’s book store for 4 years and 2 design firms- 1 in her junior year and 1 in her senior year also.

**Pastor George Palombo – Seminary** – Pastor George completed his studies at Trinity School For Ministry in Ambridge, PA where received his MA in Church History / Theology.

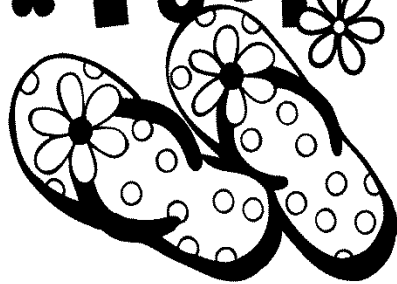
**Caylah Stine – Sauderton High School** – Caylah is the daughter of Cheri and Curvin Stine and granddaughter of Carol Jean Keefer. She has one brother, CJ.

**Marissa Whipple – Butler High School** – will be attending CCAC to continue her studies in nursing. Marissa is the daughter of Jackie Kirch, granddaughter of Ralph and Jill Whipple and great-granddaughter of Gloria Meinert.



Congratulations to all of our graduates !

# Happy Feet



This summer, put your best foot forward by brightening up a pair of flip-flops.

### What you need:

- Flip-flops in your size
- Metallic permanent markers
- Foam stickers
- Craft gemstones
- Plastic flowers
- Ribbon
- Hot glue gun (and adult help)

### What you do:

Use these ideas to decorate clean, dry flip-flops:

- Draw with markers on the soles.
- Decorate the sides and soles with stickers.
- Glue gemstones along the strap.
- Glue plastic flowers on the strap between your toes.
- Wrap ribbon around the strap and glue in place.



## BE HAPPY IN THE LORD

Happiness and joy are frequent themes in the Old Testament book of Psalms.

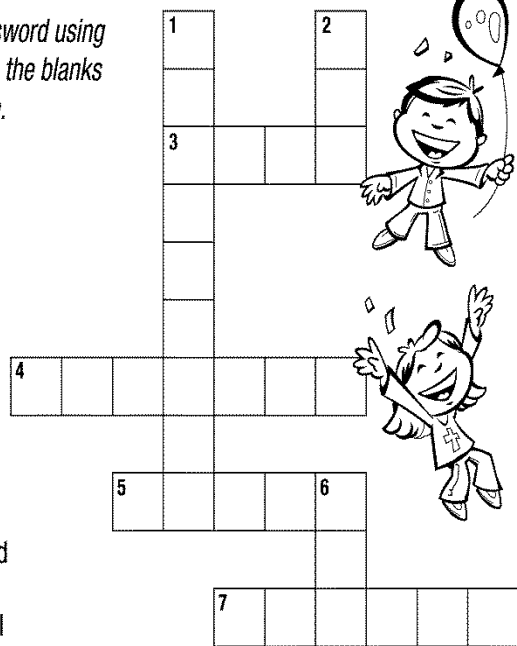
*Directions: Solve the crossword using the clues below. Then fill in the blanks to complete the Bible verse.*

### ACROSS

3. A word for happy (rhymes with had)
4. What you do when you're very happy
5. A song written by David
7. Full of joy

### DOWN

1. People who obey God
2. Our Creator
6. The month after April



"But may the 1. \_\_\_\_\_ be 3. \_\_\_\_\_ and  
 4. \_\_\_\_\_ before 2. \_\_\_\_\_; 6. \_\_\_\_\_ they  
 be happy and 7. \_\_\_\_\_." 5. \_\_\_\_\_ 68:3, NIV

Answers: (across) 3. glad, 4. rejoice, 5. psalm, 7. joyful; (down) 1. righteous, 2. God, 6. may and joyful." Psalm 68:3, NIV

# Friendship Snack Mix



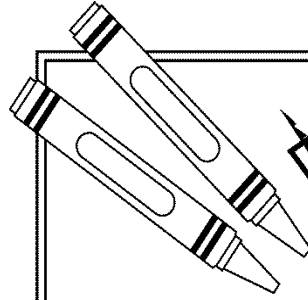
Life is more interesting when you have a diverse "mix" of friends. Show your variety of buddies how much they mean to you by making this snack for (or with!) them.

### What you need:

- 1 cup fish-shaped crackers
- 1 cup chocolate Chex
- 1 cup mini pretzels
- 1 cup peanut butter crackers
- ½ cup mini M&M's
- Large bowl
- Snack-sized zippered baggies
- Permanent markers
- Foam stickers

### What you do:

1. Mix all the food in the bowl.
2. Write a personalized message on each baggie. Decorate with stickers.
3. Measure some snack mix into each baggie. Seal them shut.
4. Share this snack with your friends!



# PUZZLE

## Friends in the Lord

Proverbs 27:17 (NIV) says, "As iron sharpens iron, so one person sharpens another." It's important to choose friends who help us be more like Jesus. How many words can you make from the word *friendship*?

F R I E N D S H I P

2-letter words: \_\_\_\_\_

\_\_\_\_\_

3-letter words: \_\_\_\_\_

\_\_\_\_\_

4-letter words: \_\_\_\_\_

\_\_\_\_\_

5-letter words: \_\_\_\_\_

\_\_\_\_\_

Words with 6 or more letters: \_\_\_\_\_

\_\_\_\_\_

\_\_\_\_\_

Answers include: in, is, hi, he, hip, end, sip, dip, rip, nip, pie, sir, hid, ship, send, ride, dine, find, fine, drip, shed, dish, fish, rind, ripe, hide, fried, pride, siren, fresh, ferns; friend, fisher, diners, rinsed, shrive, finish, shimmer, insider, hinders, inspired, re/finish, finished

**Prayer Requests and Concerns**

**July, 2017**

- ^ **Mary Neely** – our church is deeply saddened by the passing of Mary Neely on June 27, 2017. Our hearts and prayers are extended to her husband, Pete, daughter Joyce, son Ken and their families at the passing of this sweet lady. Mary was also the sister of Ed Cress. Please lift up her family for strength and comfort.
- ^ **John Cress** had surgery to repair a severely injured ankle. He is home doing ok. John is the son of Millie Cress.
- ^ **Bill Smith** is receiving radiation treatments for cancer.
- ^ **Pastor George and Amanda Palombo** thank everyone for their prayers and patience last Sunday as they dealt with the health concern for their son Marco. He is now fine and being a typical 2 year old.
- ^ **Kaitlyn Frances\*\*** underwent surgery on June 20 for cancer and will have follow up treatments of radiation and chemo. Doctors may also decide to do radical or experimental treatments.
- ^ **Jean Willoughby**, aunt of Paul and Ron Merriman, had knee replacement surgery and is staying with her daughter, Luann Dugan. (818 Jane Avenue, Pittsburgh PA. 15209). She will be doing rehab for a few weeks.
- ^ **Cindy Foight's father, Bill**, had valve replacement surgery in Michigan, and is improving each day.
- ^ **Prayer for all** the policeman and first responders who are in danger as they are out there doing their job. Especially Shawn McNaughton who is a member of this church family and works in Cecil Township.
- ❖ **Answered Prayer and Praise for** : All those who were involved in our Vacation Bible School this year.
- ❖ **Continued Concern For**: Rev. Cunningham, Lois Gobrecht, Dale Nagel, Jeremy Styron, Michael Bonham, Mary Glassburn, Katie Jones, Tim McCrory, Landon Noulett, Edith Yockel, Christians around the world who are being persecuted.
- ❖ **Those With Cancer**: Bill Smith, Lance Cunningham, Bill McGahee, Sue Snyder, Matt O'Leary, Robert Stinebiser, Horatia Hammerschmitt.
- ❖ **Missionaries** : **Becky and Larry Stanton** ( Hungary); **Peter and Sarah McCurdy** (Dominican Republic / Cuba); **Carol Sydnor** (Nepal); **Nora and Pieter Kalkman** (Prague, Czech Republic), **Brian and Lynette Smith & their boys** (Haiti). **Valerie and Aaron Osterbrock** (East Malaysia) **Ted Parks**.
- ❖ **In Service of Our Country** : **Major Doug Bauer**, his wife Hope and children, Walker & Mackenzie are now in North Dakota serving our country.

<b>Gene Worst</b> Concordia of Franklin Park 1800 Georgetown Dr. Sewickley, PA. 15143	<b>Dorothy McKinney</b> Creek Meadows Personal Care 1630 Ellwood City Road Zelienople, PA. 16063	<b>Albert (Buck ) Bucklew</b> Chicora Medical Center 160 Medical Center Road Chicora, PA. 16025-2612	<b>Peggy Bucklew</b> Chicora Medical Center 160 Medical Center Road Chicora, PA. 16025-2612
<b>Janet Tehois</b> Broadmore Senior Living 3275 Washington Pike Apt. 221 Bridgeville, PA. 15017 412-559-2813		<b>George Green</b> Cranberry Place 5 St. Francis Way Room 122 Cranberry Township, PA. 16066	<b>Mrs. Shirley Wright</b> Passavant Retirement Community Trillium House Room 215 Zelienople, PA. 16063 Telephone 724-452-5400
<b>Homebound - Jane Nagel &amp; Dale, Jr.</b> 4015 Wick Place Wexford, PA. 15090	<b>Gloria Meinert</b> 2915 Salisbury Court Wexford, PA. 15090	<b>Jean Downing</b> 2245 Montgomery Road Sewickley, PA. 15143	<b>Bill and Eleanor Mooney</b> 221 Chickasaw Avenue Pittsburgh, PA. 15237



Amanda Palombo directed this year's Vacation Bible School and she did an amazing job ! With an average of 12 children per day they enjoyed Bible stories, games, snacks, crafts and music. A BIG thank you to all the volunteers who made the week a success. Many new friends were made and appreciation hugs for leaders. So if you hear the kids talking about a "friend bench" or "Legos" you can bet it was from VBS week. God did make us all wonderfully put together !



### September 10

**Regular service times return on September 10 with 9:30 a.m. Sunday School for Adults and Youth and 10:30 a.m. Worship Service / Communion which includes Children's Sunday School.**



### **Katelyn Dauer, viola recital**

Sunday, July 23, 2017 10:30 a.m.  
Franklin Park Baptist Church

This recital will be with her private instructor of the past nine years, Pablo Ardiles. She would love anyone from the church to come or outside of the church. Thank you.

**We are providing desserts for Crossroads Meals on Wheels. We ask that you donate desserts, preferably cookies, brownies, cakes all in disposable pans. If anyone wants to make a donation of money to one of the members we will buy desserts for them. Put them in upstairs kitchen freezer and we will get them to Crossroads once a month.**



# MISSION PROJECT 2017

## MARK IRVINE

### Bio:

Mark is a single dad raising three sons Mark (15), Andrew (14) and Dakota (12). They have lived in their quiet community for 12 years. They enjoy sports, fishing and traveling. They do not have a home church.



### Community

Grafton,  
West Virginia

### Sponsor

Fetterman United  
Methodist Church

### Mission Team

Franklin Park



This year's participants are : Shelby Cress, Jared, Jason, Katelyn and Randy Dauer, Cody, Joe and Cheyenne Maxwell, Jaymaree Perry, Marissa and Ralph Whipple, Stephen McKenna, Austin Gildernew, Caylah Stine, Bill Smith and Pastor George.

**SATURDAY, JUNE 24, 2017** *there was a Men's Breakfast here at our church for our men to gather and enjoy a meal and fellowship together. The speaker was Leo Wisniewski, director of LOCKING ARMS MEN that challenges men to deepen their faith commitment through strengthened marriages and families, serving the poor and living out God's Word in authentic community. In October a "Legends of the Huddle" Event will be held here. Christian athletes including John Kolb, former Pittsburgh Steeler, and Sid Bream, formerly a Pittsburgh Pirate will be among the men attending.*

**Men clear your calendars for Saturday, October 21 from 8 a.m. – 1 p.m.**

### Special music for Worship

**We look forward to hearing the musical talents (singing, instruments etc.) of our members. If you'd be willing to share your gift of music some Sunday morning, please mention it to Pastor George or call the church office at 724.935.3950.**

**[WWW.franklinparkchurch.org](http://WWW.franklinparkchurch.org)**

### **Know your target**

Businesses must know their target market. Writers must know their target audience. And we all make better decisions when we consider the target of our actions.

A college religion teacher set up a cardboard target in his classroom. "Draw someone who has upset you," he instructed.

Students sketched ex-boyfriends or -girlfriends, coworkers who'd mistreated them, childhood bullies. Each, in turn, then placed their drawing over the bull's-eye and took aim with a bow and arrow. Afterward, the bull's-eye was riddled with holes. The students congratulated one another ... until the teacher pulled back the target, revealing Jesus' scarred, torn face.

Silence fell as he read: "Truly I tell you, just as you did it to one of the least of these ... you did it to me"  
(Matthew 25:40, NRSV).

In choosing actions – no matter the human target – remember who else will be struck by your arrows.  
Let's take aim with love, not hurt.